

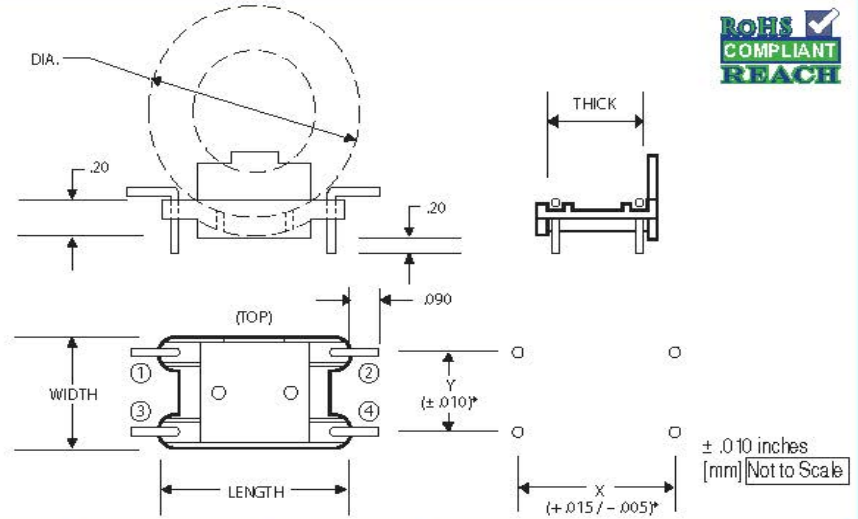
LODESTONE PACIFIC



Phone: (800) 694-8089
 www.lodestonepacific.com
 E-mail: sales@lodestonepacific.com

VTM SERIES

Material: GFN/GFN4 (Natural)
UL Rating: UL 94-V0, Class F
4 Terminals: Copper Wire
 100% Tin Plated
Solderability: Per MIL-STD-202
 Method 208
Packaging: Bulk in Polybags
Application: For vertical mounting of
 wound toroids from 1.00 to 2.8 inches in
 diameter. The VTM series is available
 with the four terminals shown or without
 terminals (.048 through hole).



PART NO.	LENGTH	WIDTH	THICK.	DIA.	X	Y	TERMINALS
VTM120-0	1.00	.60	.51	1.20	.80	.40	None (.048 Holes)
VTM120-4	[25.4]	[15.24]	[12.95]	[30.48]	[20.32]	[10.16]	4=#16 AWG (.050)
VTM160-0	1.10	.80	.71	1.60	.90	.60	None (.048 Holes)
VTM160-4	[27.94]	[20.32]	[18.03]	[40.64]	[22.86]	[15.24]	4=#16 AWG (.050)
VTM254-0	1.40	.90	.81	2.54	1.20	.70	None (.048 Holes)
VTM254-4	[35.56]	[22.86]	[20.57]	[64.51]	[30.48]	[17.78]	4=#16 AWG (.050)
VTM280-0	1.70	1.10	1.01	2.80	1.50	.90	None (.048 Holes)
VTM280-4	[43.18]	[27.94]	[25.65]	[71.12]	[38.1]	[22.86]	4=#16 AWG (.050)

[Request a Sample](#)

[View Inventory](#)

[Request a Quote](#)

[Toroid Mount Selector](#)

[REACH Database](#)

[Coil Winder Database](#)